

▼ 主要技术参数 Main Technical Parameters

使用温度 Operating Temperature: -40 ~ +85°C
 额定电压 Rating Voltage: 50V(AC/DC)
 额定电流 Rating Current: 0.5A/PIN
 接触电阻 Contact Resistance: 50mΩ Max
 绝缘阻抗 Insulation Impedance: 500MΩMin
 插拔耐久性 Durability: 20 Times/Min

▼ 材料 Material

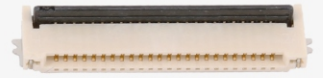
主体 Housing: LCP Natural UL94V-0
 锁扣 Cover: PA Black UL94V-0
 端子 Terminal: Copper Alloy Plating: Au
 定位片 Stator: Copper Alloy Plating: Tin
 触点类型 Contact Type: Double Contact

▼ 注: 未插入FPC/FFC排线时禁止下压锁扣

Note: Do not close connector without FPC/FFC

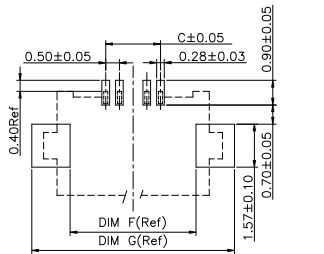
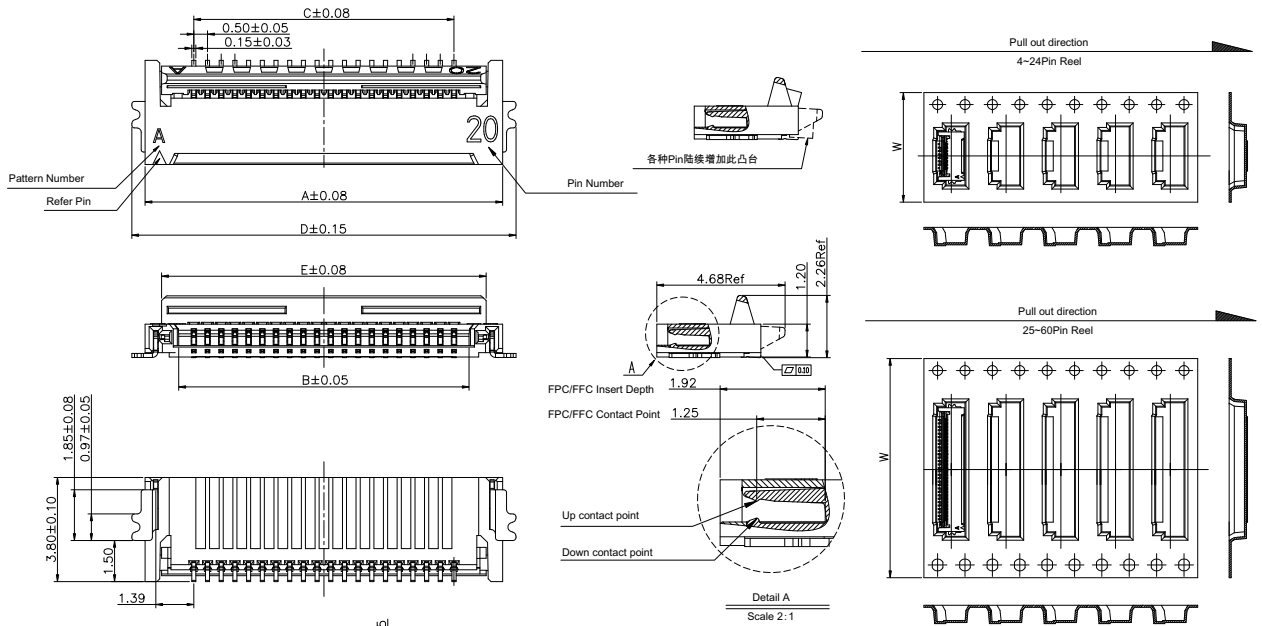
▼ 环保标准 Environmental Protection Standard

符合欧盟 RoHS Reach 标准
 Comply with the EU RoHS, Reach

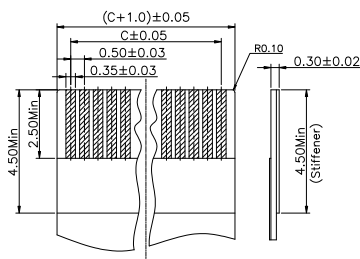


90602 Series

Units: mm



RECOMMENDED PCB LAYOUT



RECOMMENDED FFC/FFC CABLE

X-Pin	W	PCS/Reel
4-8Pin	16	3000
9-24Pin	24	3000
25-34Pin	32	3000
35-56Pin	44	3000
57-60Pin	56	3000

X-Pin	Part Number	A	B	C	D	E	F	G
4P	90602050004	5.06	2.55	1.50	6.00	3.85	4.10	6.90
5P	90602050005	5.56	3.05	2.00	6.50	4.35	4.60	7.40
6P	90602050006	6.06	3.55	2.50	7.00	4.85	5.10	7.90
7P	90602050007	6.56	4.05	3.00	7.50	5.35	5.60	8.40
8P	90602050008	7.06	4.55	3.50	8.00	5.85	6.10	8.90
10P	90602050010	8.06	5.55	4.50	9.00	6.85	7.10	9.90
12P	90602050012	9.06	6.55	5.50	10.00	7.85	8.10	10.90
14P	90602050014	10.06	7.55	6.50	11.00	8.85	9.10	11.90
15P	90602050015	10.56	8.05	7.00	11.50	9.35	9.60	12.40
16P	90602050016	11.06	8.55	7.50	12.00	9.85	10.10	12.90
20P	90602050020	13.06	10.55	9.50	14.00	11.85	12.10	14.90
24P	90602050024	15.06	12.55	11.50	16.00	13.85	14.10	16.90
28P	90602050028	17.06	14.55	13.50	18.00	15.85	16.10	18.90
30P	90602050030	18.06	15.55	14.50	19.00	16.85	17.10	19.90
32P	90602050032	19.06	16.55	15.50	20.00	17.85	18.10	20.90
34P	90602050034	20.06	17.55	16.50	21.00	18.85	19.10	21.90
35P	90602050035	20.56	18.05	17.00	21.50	19.35	19.60	22.40
36P	90602050036	21.06	18.55	17.50	22.00	19.85	20.10	22.90
40P	90602050040	23.06	20.55	19.50	24.00	21.85	22.10	24.90
45P	90602050045	25.56	23.06	22.00	26.50	24.35	24.60	27.40
50P	90602050050	28.06	25.55	24.50	29.00	26.85	27.10	29.90
52P	90602050052	29.06	26.55	25.50	30.00	27.85	28.10	30.90
56P	90602050056	31.06	28.55	27.50	32.00	29.85	30.10	32.90
60P	90602050060	33.06	30.55	29.50	34.00	31.85	32.10	34.90